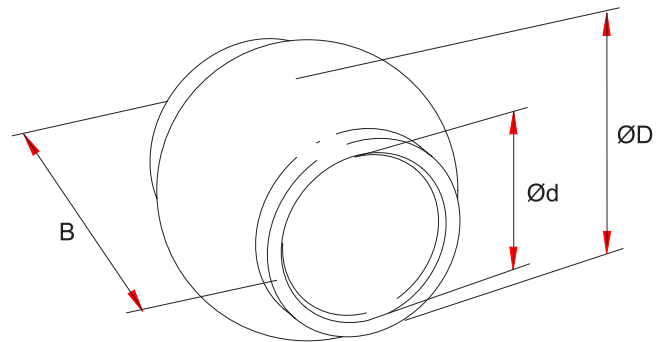




TECHNICAL INFO

TAS-TINo. 15_02_GB

BALL BUSH THE NEW “BLACK BALL”



BALL BUSH FOR LOWER LINKS (FOR DOUBLE-MOUNTED IMPLEMENT BOLTS)

Type	d [mm]	D [mm]	B [mm]	Part No.
KHU Cat.3HD*	37,3	64	45	1202332

BALL BUSH FOR TOP LINKS

Type	d [mm]	D [mm]	B [mm]	Part No.
KHO Cat.3HD*	32,2	60	51	1202484
KHO Cat.4HD*	45	78	64	1204783

* Heavy Duty

The New “Black Ball”

Walterscheid has introduced a new Heavy Duty Ball Bush for particularly intensive operating conditions such as soil tillage for example. The new Ball Bush is characterised by extremely high requirements with regard to material and manufacturing processes, thus offering increased safety and durability during practical operation – also under most challenging conditions.

For the production of the so-called Walterscheid “Black Ball”, only top-quality materials are used. Therefore, Chrome-alloyed bearing steel is utilised as base material which then is refined in a specific heat treatment process and protected against rust with a cathodic dip-coating. During this manufacturing process, also the typical black colour of the high-quality coating develops.