



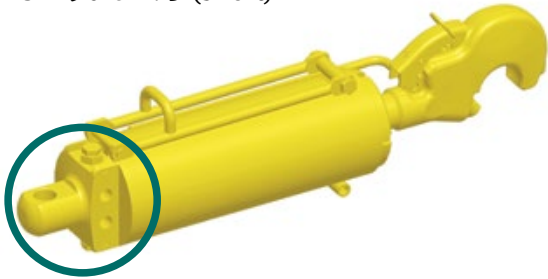
TAS-TINo. 13_01_GB

HOLHS D-90 Cat. 3 hydraulic top link with integrated check valve

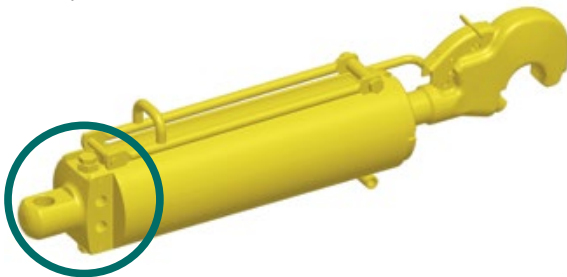
The new hydraulic top links with integrated check valve can now be used wherever external influences can lead to hydraulic top links with attached check valve being damaged. The new hydraulic top links with integrated check valve and the old hydraulic top links with attached check valve have identically dimensioned connections and lengths. The hose can be connected either from the right or from the left on the hydraulic top links with integrated check valve. This requires only a few steps (see Figs. 1 to 3).

New version with integrated check valve

HOLHS D-90 CAT. 3 (short)



HOLHS D-90 CAT. 3



Old version with attached check valve

HOLHS C-90 CAT. 3 (short)



HOLHS C-90 CAT. 3

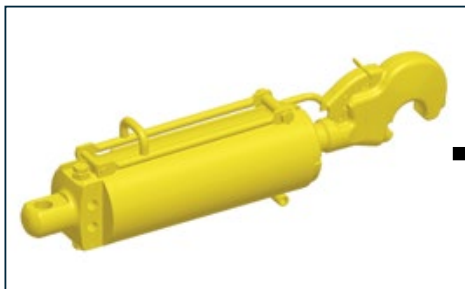


Fig. 1
Hose connection on the right

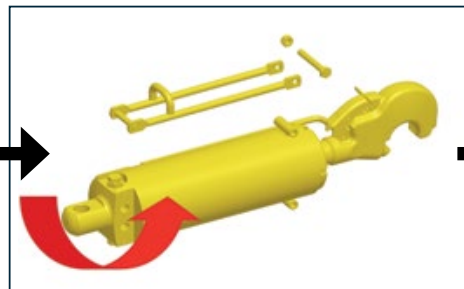


Fig. 2
1. Unscrew the holder
2. Rotate the cylinder through 180°
3. relative to the position of the hook Screw the holder back on

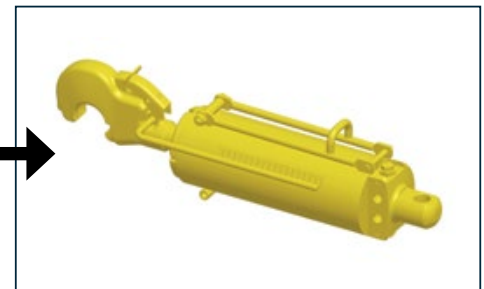
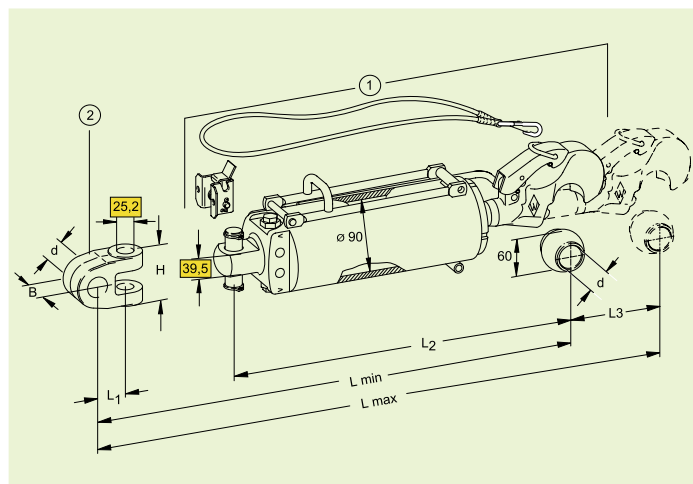


Fig. 3
Hose connection on the left

HOLHS D-90 CAT. 3

(UP TO 147KW/200HP)

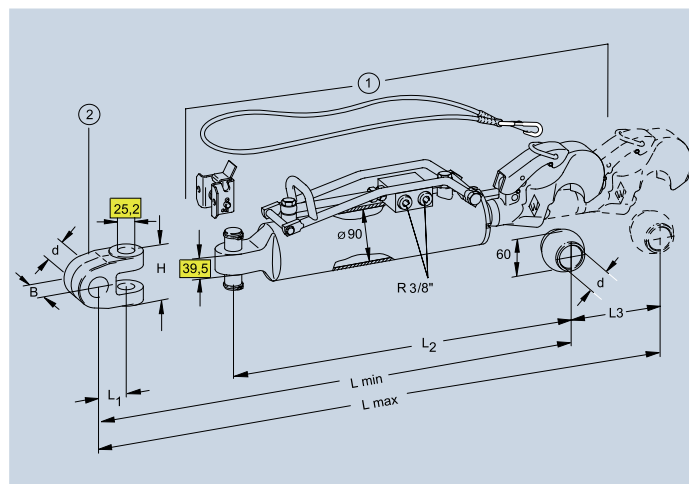
STROKE = 250 MM (L3)



HOLHS C-90 CAT. 3

(UP TO 147KW/200HP)

STROKE = 250 MM (L3)



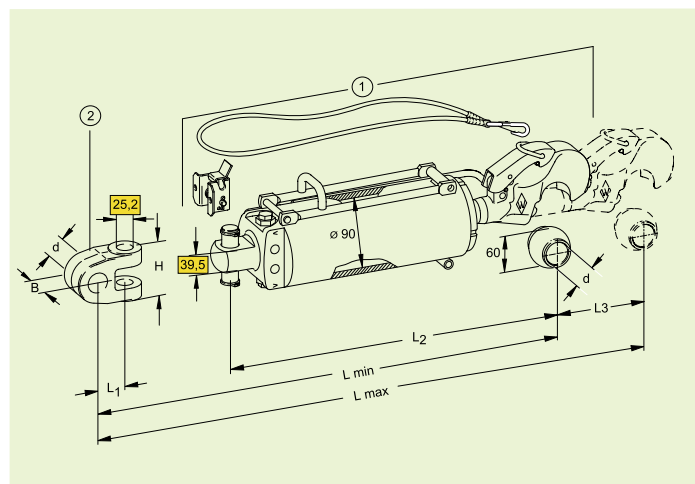
Item	Description	Type	L1	d	L2	L3	Lmin	Lmax	B	H	Part No.
			[mm]	[mm]	[mm]	[mm]	[mm]	[mm]	[mm]	[mm]	
1	HOLHS D-90	Cat. 3			637	250					1206177
1	HOLHS C-90	Cat. 3			637	250					1309539
+	+										+
2	Fork head	Cat. 3	63	25.7			700	950	51	86.9	1306372
		Cat. 3	63	28.2			700	950	51	86.9	1306406
		Cat. 3	63	32.3			700	950	51	86.9	1306399
		Cat. 3	63	35.2			700	950	51	86.9	1309181
		Cat. 3	63	37.3			700	950	51	86.9	1309125
		Cat. 3	100	25.7			737	987	51	86.9	1309341
		Cat. 3	100	28.2			737	987	51	86.9	1309143
		Cat. 3	100	32.3			737	987	51	86.9	1308016
		Cat. 3	100	35.2			737	987	51	86.9	1309144
Cat. 3	100	37.3			737	987	51	86.9	1309126		

NOTE: Hydraulic top link (HOLKS) and fork head must be ordered separately!

HOLHS D-90 CAT. 3 (SHORT)

(UP TO 147KW/200HP)

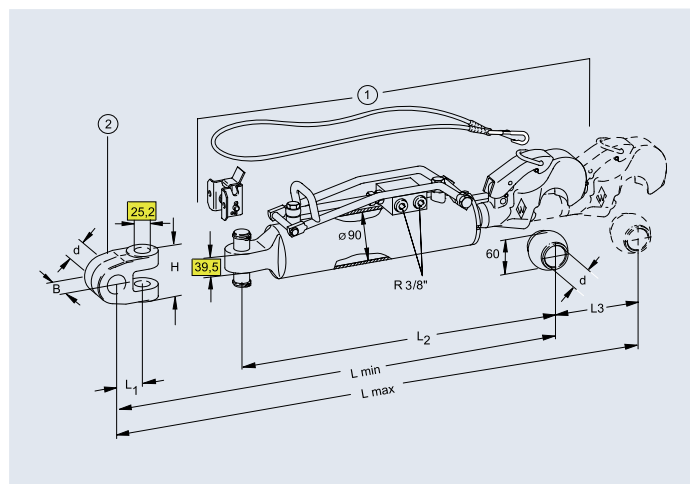
STROKE = 185 MM (L3)



HOLHS C-90 CAT. 3 (SHORT)

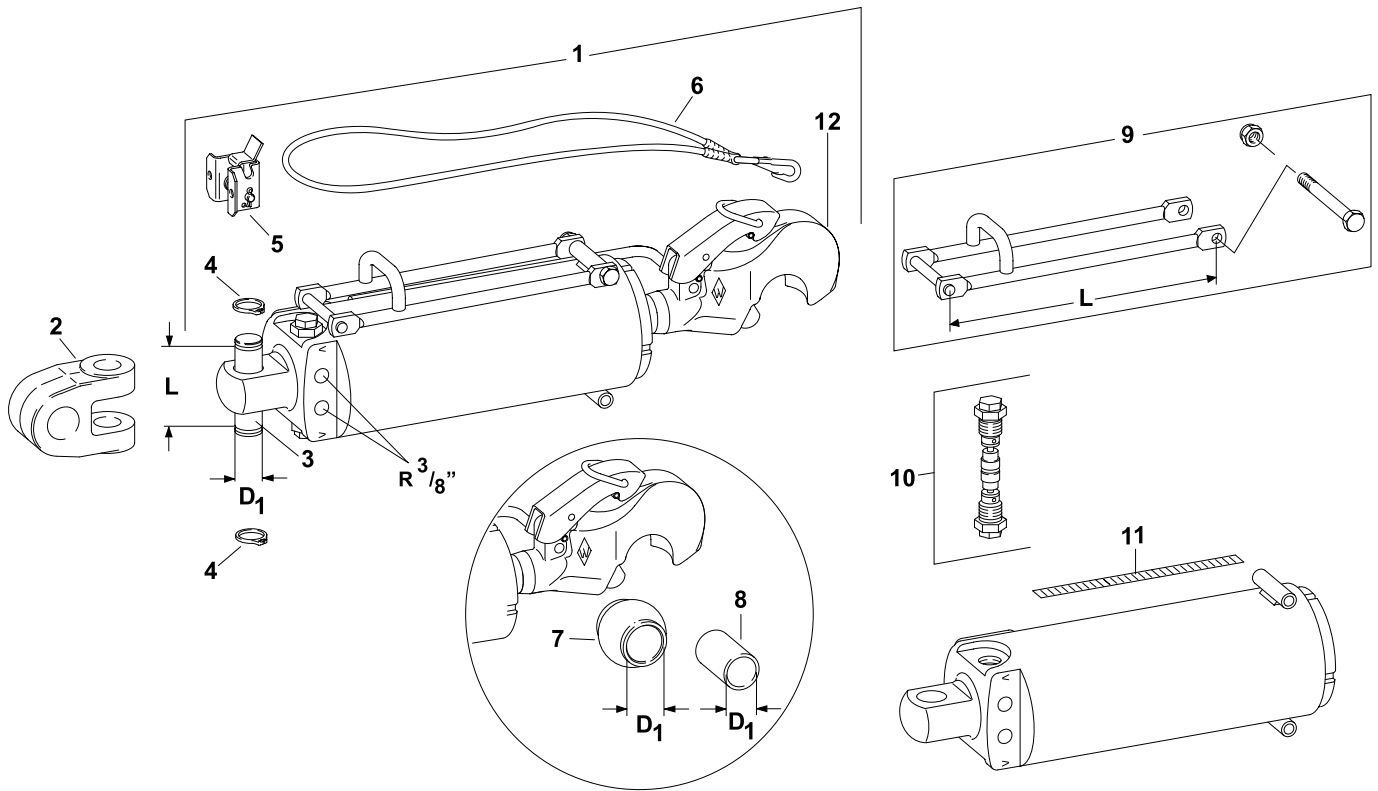
(UP TO 147KW/200HP)

STROKE = 185 MM (L3)



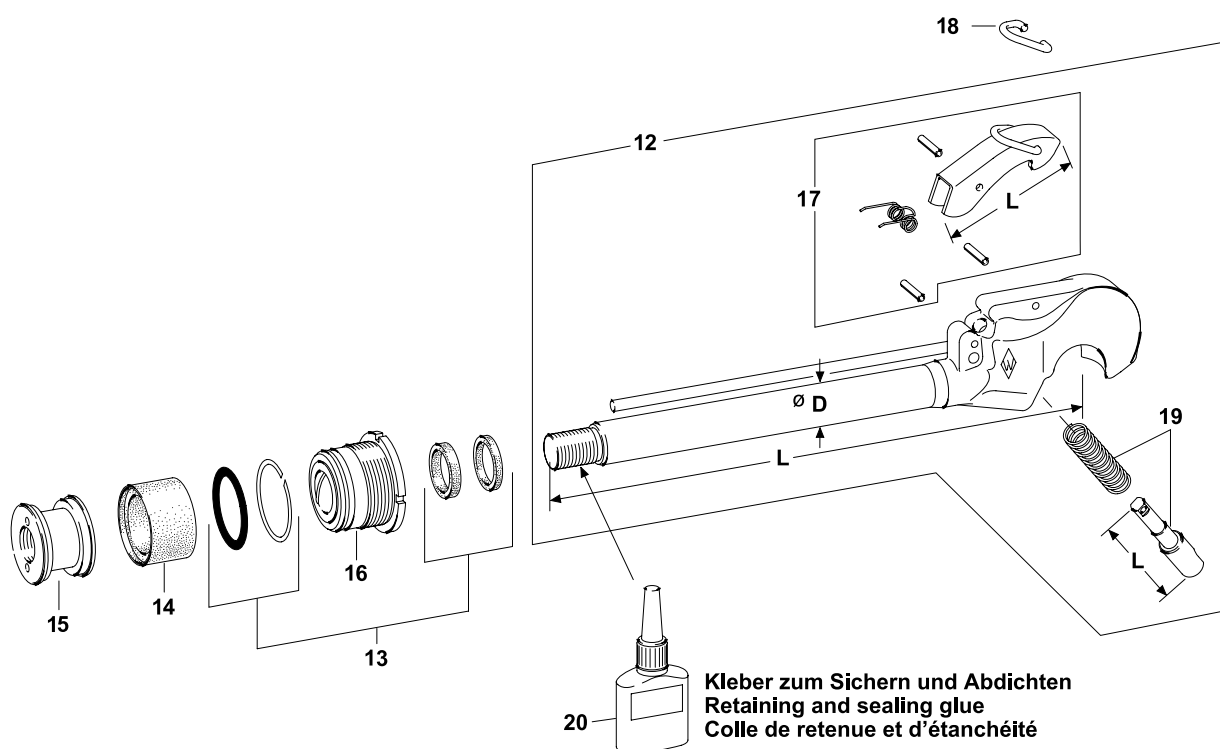
Item	Description	Type	L1	d	L2	L3	Lmin	Lmax	B	H	Part No.
			[mm]	[mm]	[mm]	[mm]	[mm]	[mm]	[mm]	[mm]	
1	HOLHS D-90 short	Cat. 3			562	185					1206176
1	HOLHS C-90 short	Cat. 3			562	185					1309538
+	+										+
2	Fork head	Cat. 3	63	25.7			625	810	51	86.9	1306372
		Cat. 3	63	28.2			625	810	51	86.9	1306406
		Cat. 3	63	32.3			625	810	51	86.9	1306399
		Cat. 3	63	35.2			625	810	51	86.9	1309181
		Cat. 3	63	37.3			625	810	51	86.9	1309125
		Cat. 3	100	25.7			662	847	51	86.9	1309341
		Cat. 3	100	28.2			662	847	51	86.9	1309143
		Cat. 3	100	32.3			662	847	51	86.9	1308016
		Cat. 3	100	35.2			662	847	51	86.9	1309144
		Cat. 3	100	37.3			662	847	51	86.9	1309126

NOTE: Hydraulic top link (HOLKS) and fork head must be ordered separately!



HOLHS D-90 CAT.3

Item	Description	Type	D ₁	L	Stroke	Technical data	Standard	Agraset	Part No.
			[mm]	[mm]	[mm]				
1	Top link								-
2	Fork head								-
3	Bolt		Ø 25	87		Ø 25x87			1308609
4	Circlip					25x2	DIN 471		1702048
5	Holder								1308347
6	Release cable					L = 1750			1307612
7	Ball bush	Cat. 3 / 2	Ø 25.7			Ø 60xØ 25.7			1099044
7		Cat. 3	Ø 32.2			Ø 60xØ 32.2			1099043
7		Cat. 3 HD	Ø 32.2			Ø 60xØ 32.2			1202484
8	Adapter bush	Cat. 1 / 2	Ø 19.4			Ø 25xØ 19.4			1082649
8		Cat. 2 / 3	Ø 25.7			Ø 32xØ 25.7			1305278
9	Holder, complete			285				392	1206089
9				340				393	1206092
10	Check valve, complete								1206097
11	Marking sticker					L = 181			1309530
11						L = 241			1305934



HOLHS D-90 CAT.3

Item	Description	Type	D	L	Stroke	Technical data	Agraset	Part No.
			[mm]	[mm]	[mm]			
12	Piston rod complete	D-90 Cat. 3	40	462	185	M34x2		1206099
12		D-90 Cat. 3	40	537	250	M34x2		1206101
13	Gasket kit	D-90 Cat. 3					362	1309540
14	Piston seal	D-90 Cat. 3				$\varnothing 90$		1309525
15	Piston	D-90 Cat. 3				M34x2		1309523
16	Cylinder cover	D-90 Cat. 3				M94x2		1309524
17	Opening lever kit	D-90 Cat. 3		86			312	1306841
18	Retainer							1099015
19	Locking bolt complete	D-90 Cat. 3		119			315	1305765
20	Adhesive					Omnifit seal 58H		1304833

WALTERSCHEID

WALTERSCHEID GMBH

Hauptstraße 150

D-53797 Lohmar

Tel.: +49 (0) 2246 12-0

Fax: +49 (0) 2246 12-3501

www.walterscheid.com



Walterscheid
the original

WALTERSCHEID

HYDRAULIC TOP LINK with integrated check valve

